

# TPCM 201610T



Sample image

**Order symbol:** TPCM 201610T

**Product nbr:** 5824030

**Description:** Enclosure. PC

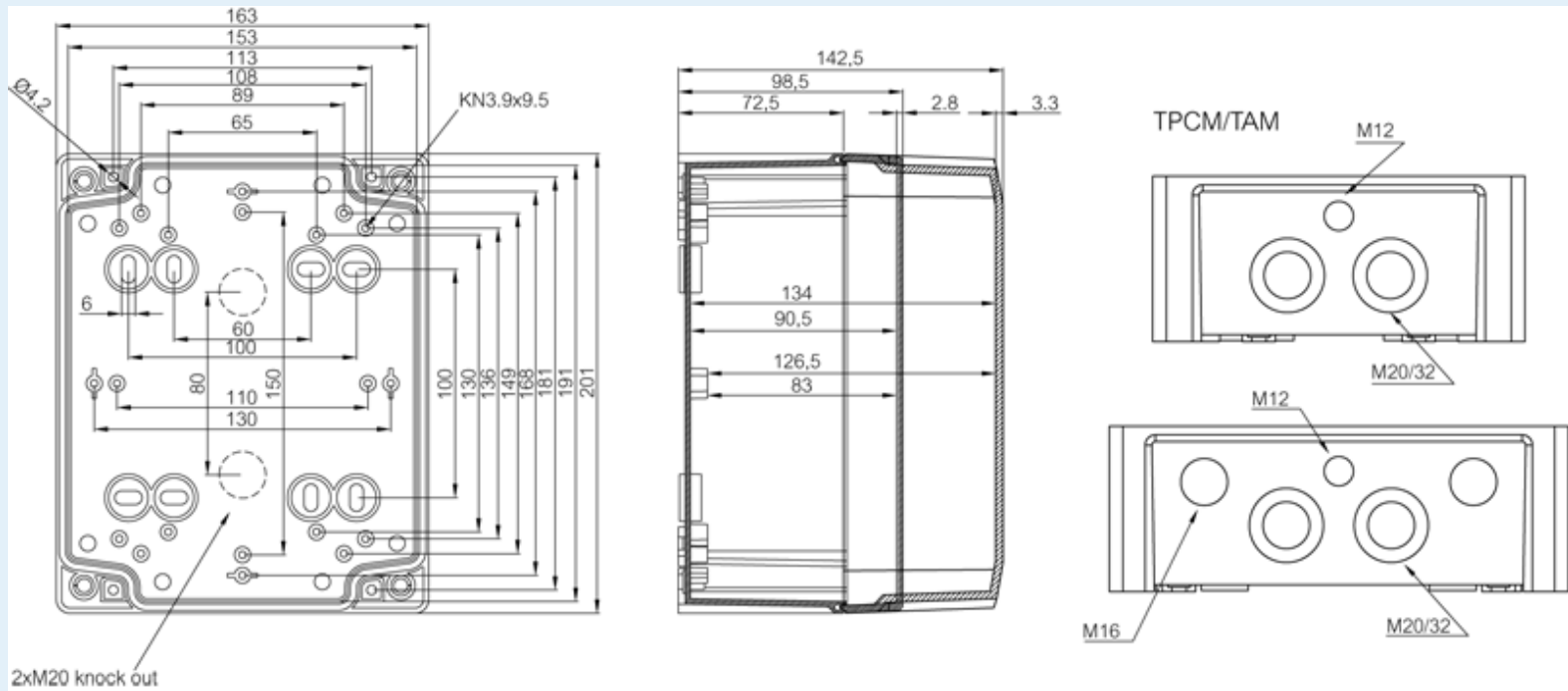
**Remarks:** Clear transparent cover

**EAN:** 6418074087201

**Including:**

**EI. number:**

- Finland:
- Denmark:
- Sweden:



Dimensions:	Height	Width	Depth
mm:	201	163	99
inch:	7.91	6.42	3.9

**Materials:**

Material: Polycarbonate  
 Base colour:  
 Cover colour:  
 Gasket material:

**Accessories:**

- ARH 2320 DIN-35 Mounting rail. for enclosures: (180 x 35 x 1)
- MP 2016 Mounting plate. for enclosures: (155 x 140 x 0)
- DH-3 DIN-35 Mounting rail. for enclosures: (140 x 35 x 1)
- FP 10674 Mounting foot kit (2 pcs) incl. screws

**Rating:**

Ingress protection (EN 60529): IP65;  
 Impact Resistance (EN 62262): IK07; IK08;

**Temperatures:**

Temperature °C (short term)::	-40 ... 120
Temperature °C (continuous):	
Temperature °F (short term):	-40 ... 250
Temperature °F (continuous):	-40 ... 175

Electrical insulation:	Totally insulated
Halogen free (DIN/VDE 0472, Part 815):	1
UV resistance:	-
Flammability Rating:	UL 746C 5"
Glow Wire Test (IEC 695-2-1) °C:	960 °C
NEMA Class	

**Certificates:**

Certificate FI 40343